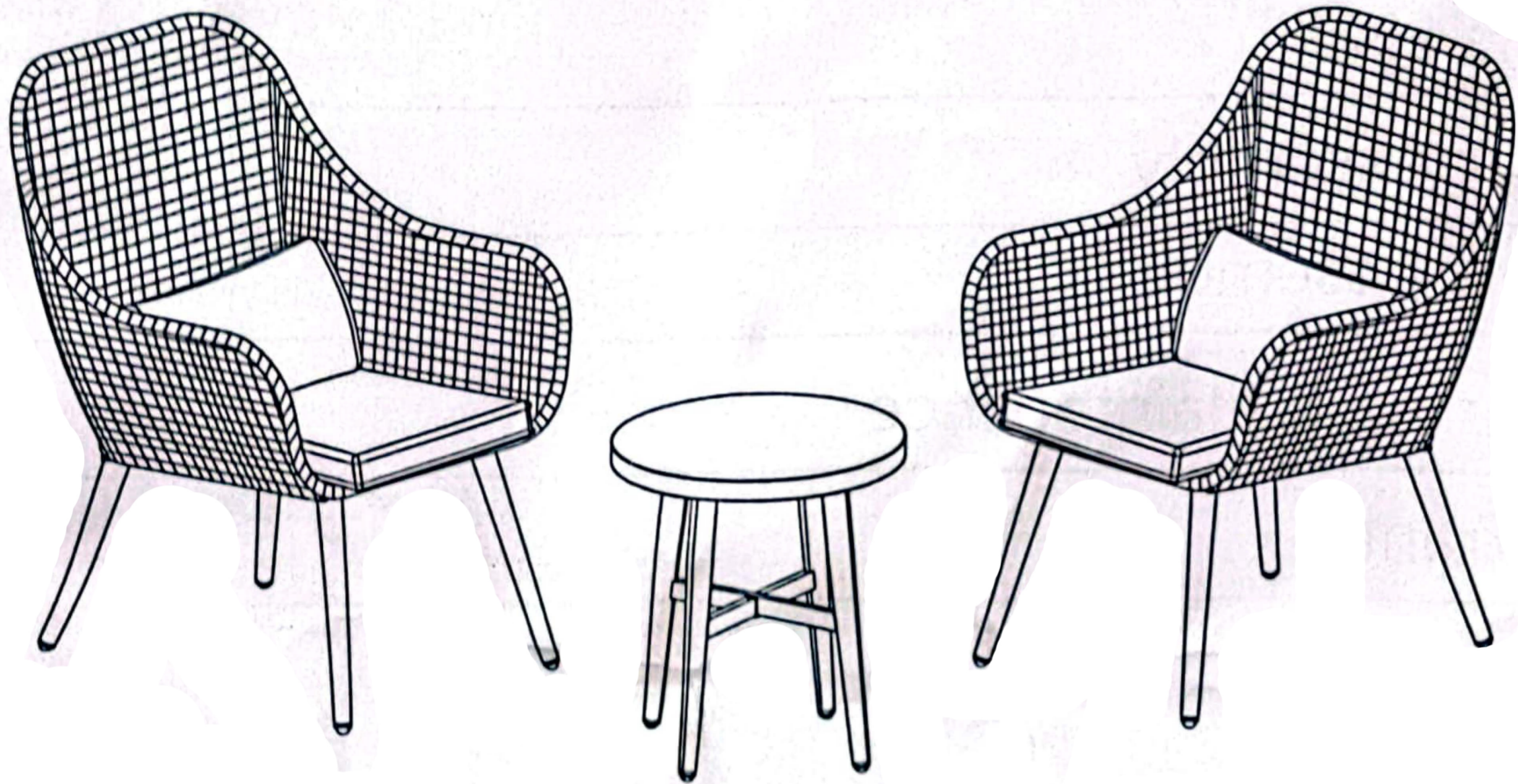




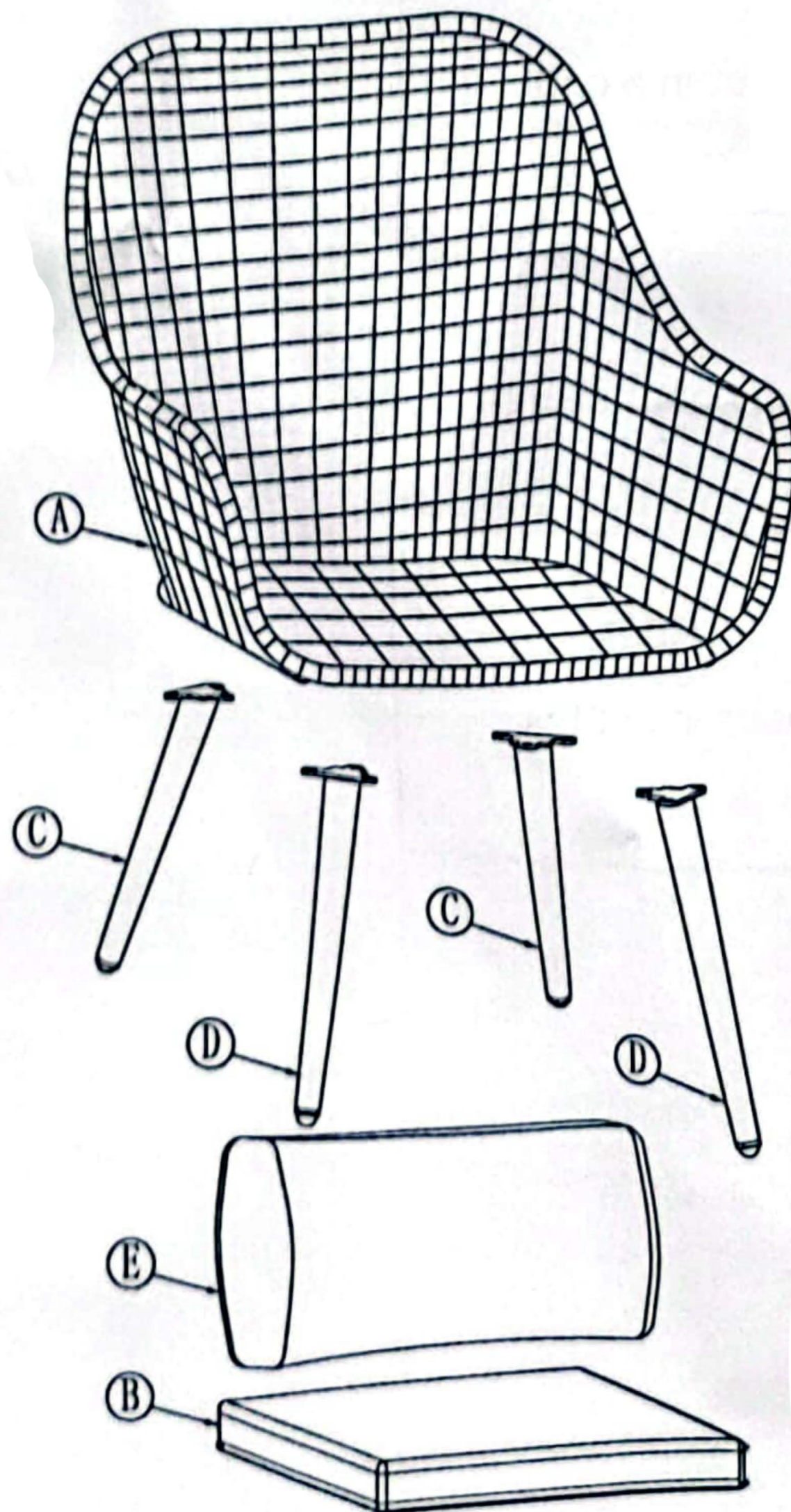
Assembly Instructions  
**Model No. AMBSST306/AMBSST305**



3-Piece Wicker Set

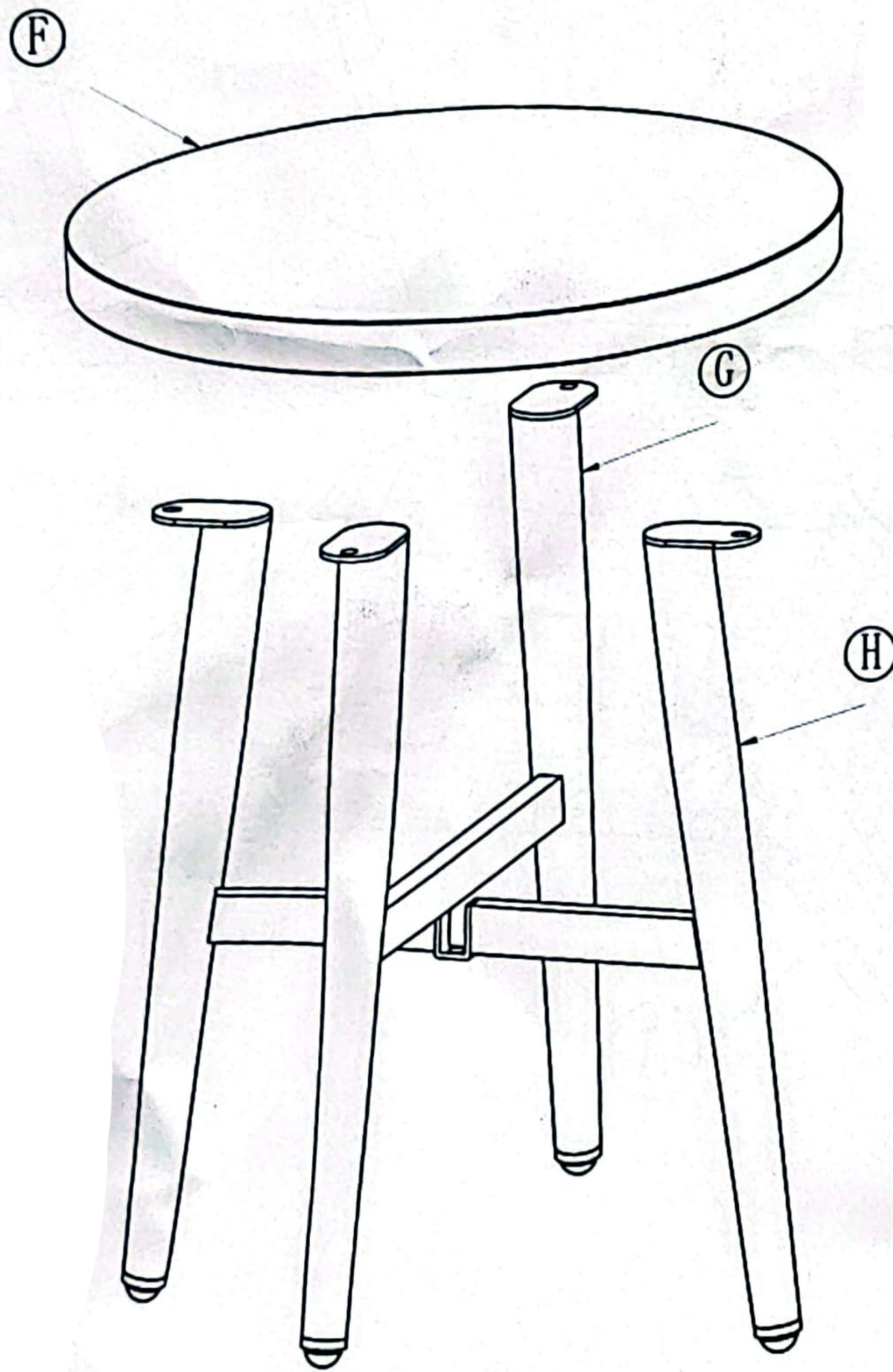
# Parts List

|                              |   |   |
|------------------------------|---|---|
| <b>A</b><br>Chair seat - 1   | <b>AA</b><br>M6x15 Bolt & Washer - 29+1 |  |
| <b>B</b><br>Seat cushion - 1 | <b>BB</b><br>Hex Wrench - 1             |  |
| <b>C</b><br>Back legs - 2    |   |   |
| <b>D</b><br>Front legs - 2   |   |   |
| <b>E</b><br>Back cushion - 1 |   |   |



# Parts List

|                           |
|---------------------------|
| <b>F</b><br>Table top - 1 |
| <b>G</b><br>Legs - 1      |
| <b>H</b><br>Legs - 1      |



# Chair Assembly

## STEP 1

Requires: A, C, D, AA

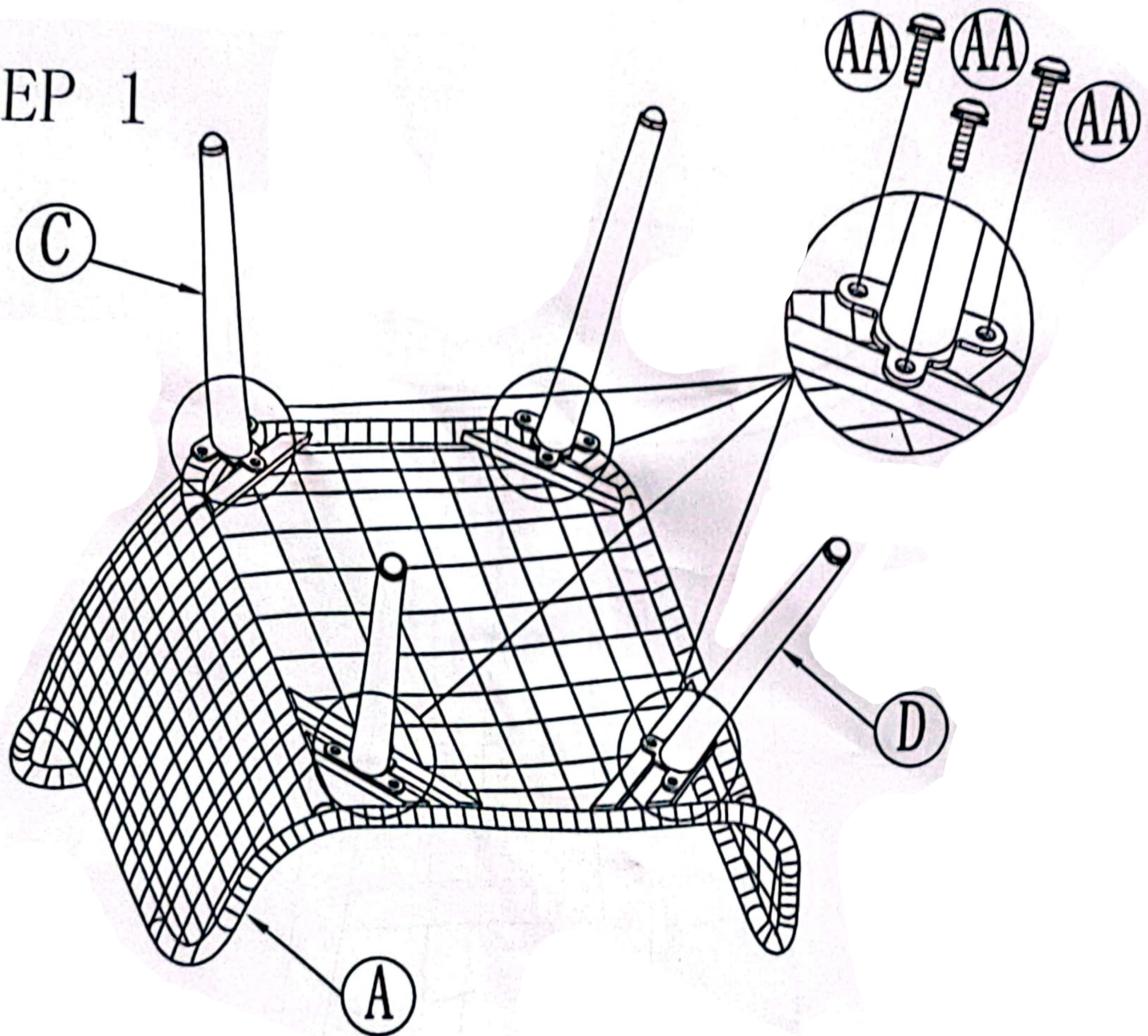
### Attaching The Chair Seat To The Legs

Place the Chair Seat (A) on a flat, protected surface.

Connect Back Legs (C) and Front Legs (D) to the Chair Seat (A),  
by using M6\*15 Bolts & Washer (AA).

Hand tighten only.

## STEP 1



# Chair Assembly

## STEP 2

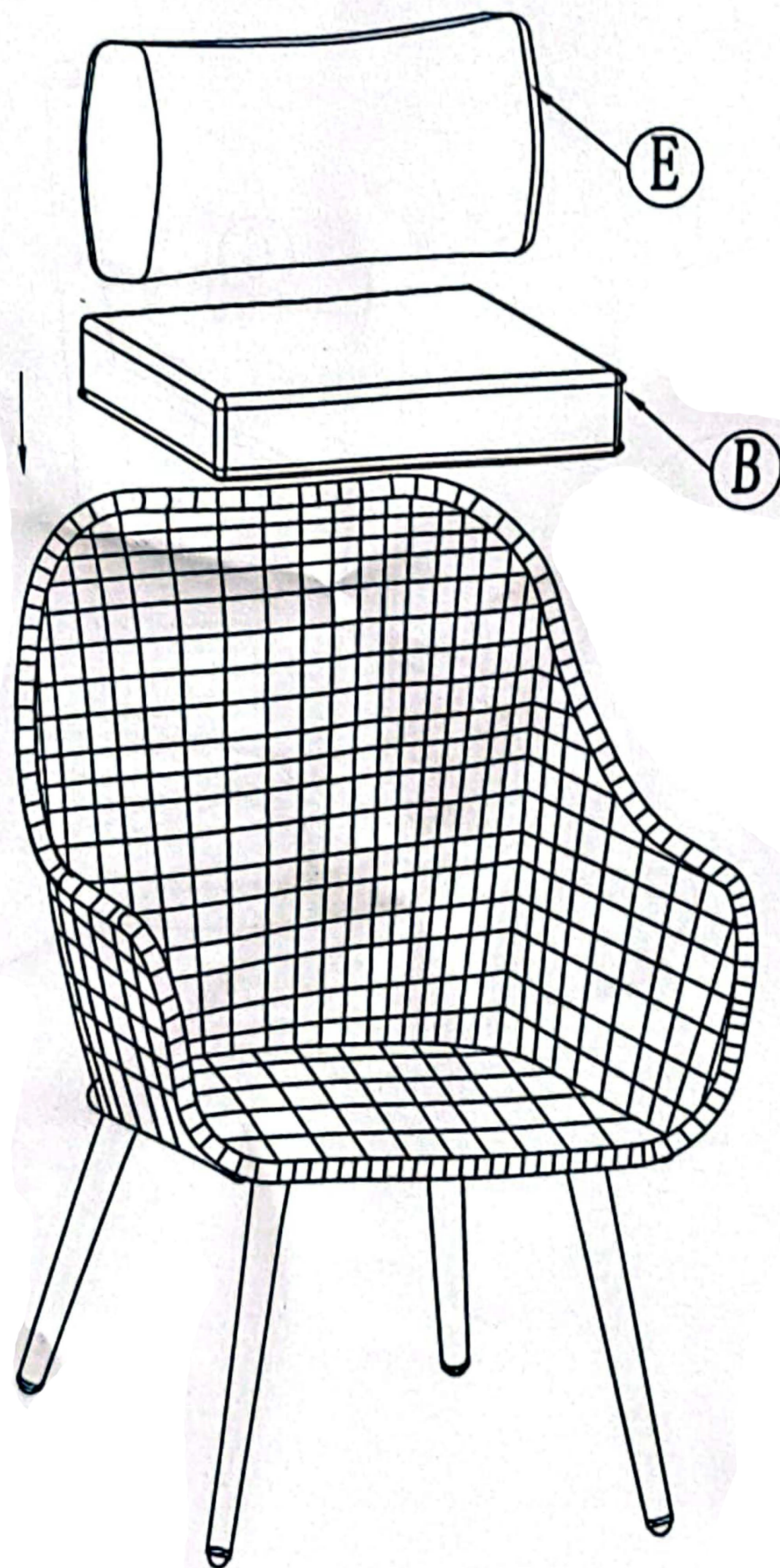
Requires: **E, B**

### Checking The Chair

Use the Allen Wrench (BB) to tighten all bolts.

Do not over tighten. Over tightening may strip bolts and washers.

Place the chair in the upright position. Put Seat Cushion (B) and Back Cushion (E) onto the Chair Seat (A).



# Table Assembly

## STEP 1

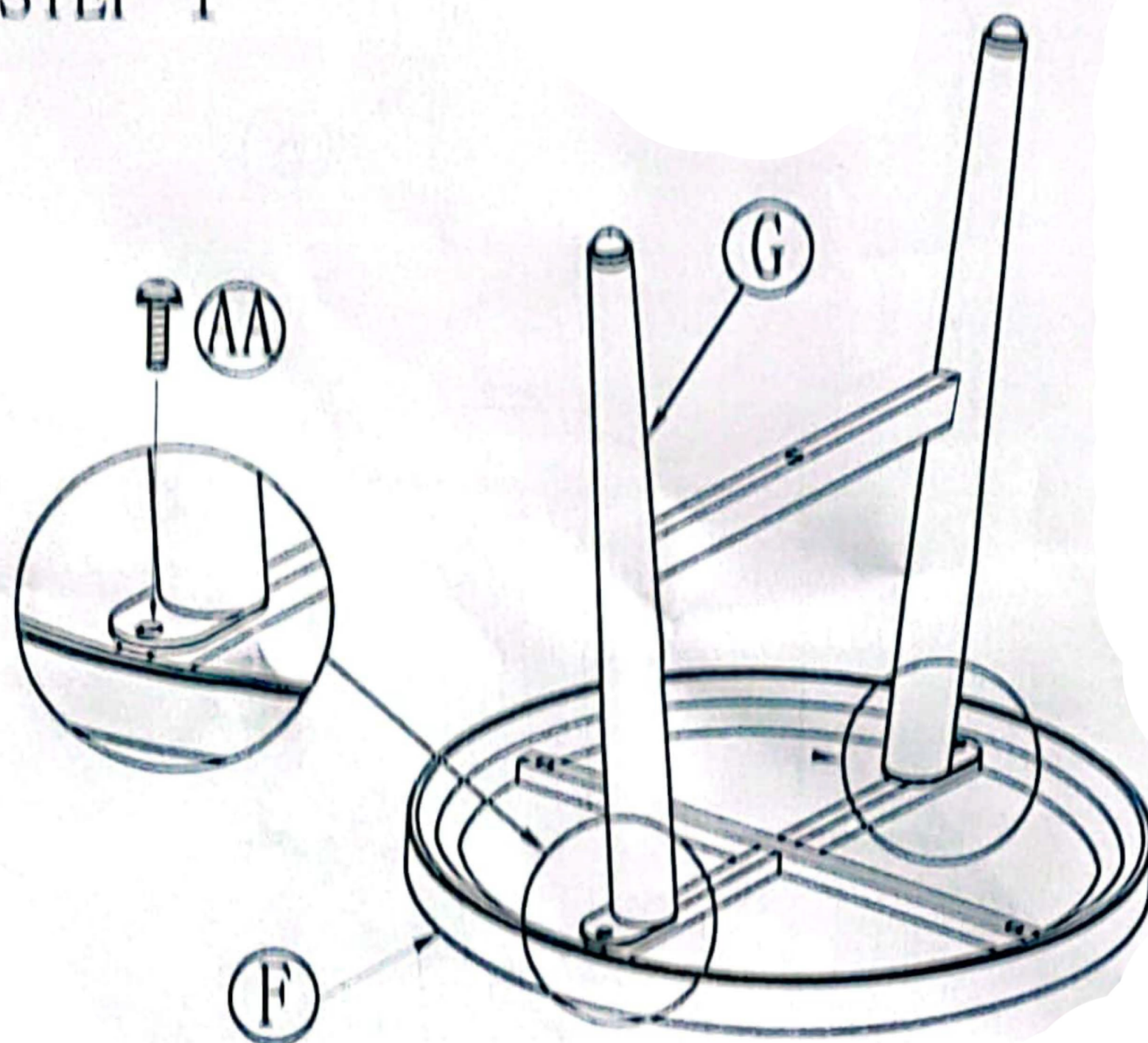
Requires: G, F, AA

### Attaching Leg To The Table Top

Place the Table Top (F) on a flat, protected surface.

Attach Leg (G) to the Table Top (F), by using M6\*15 Bolts & Washer (AA).  
Hand tighten only.

## STEP 1



# Table Assembly

## STEP 2

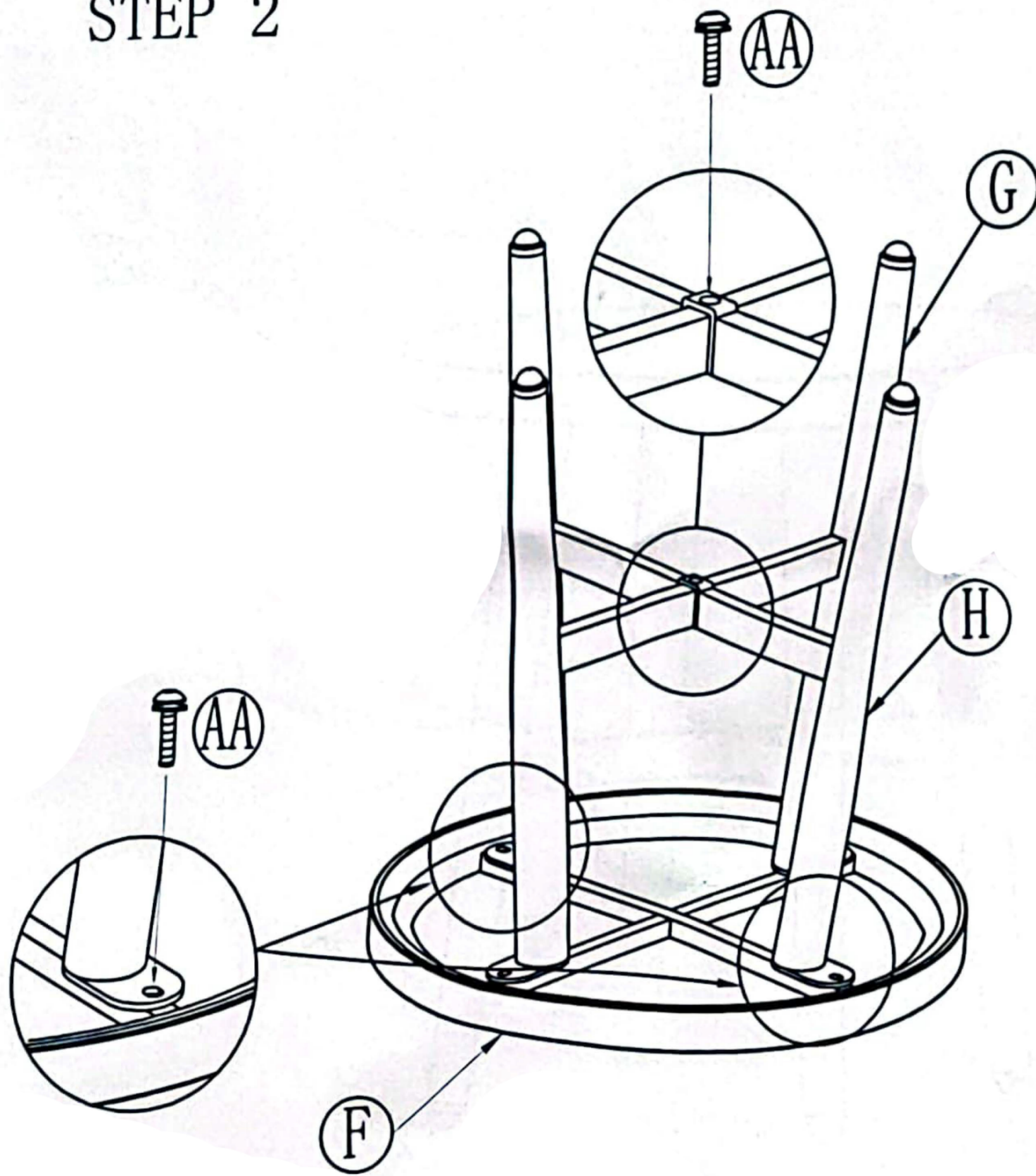
Requires: **G, F, H, AA**

### Attaching Leg To The Table Top

Attach Leg (H) to the Table Top (F), by using M6\*15 Bolts & Washer (AA).

Secure Leg (G) and Leg (H) by using M6\*15 Bolts & Washer (AA).  
Hand tighten only.

## STEP 2



# Table Assembly

## STEP 3

---

Requires: **BB**

### **Checking The Table**

Use the Allen Wrench (BB) to tighten all bolts.

Do not over tighten. Over tightening may strip bolts and washers.

Place the coffee table in the upright position.

